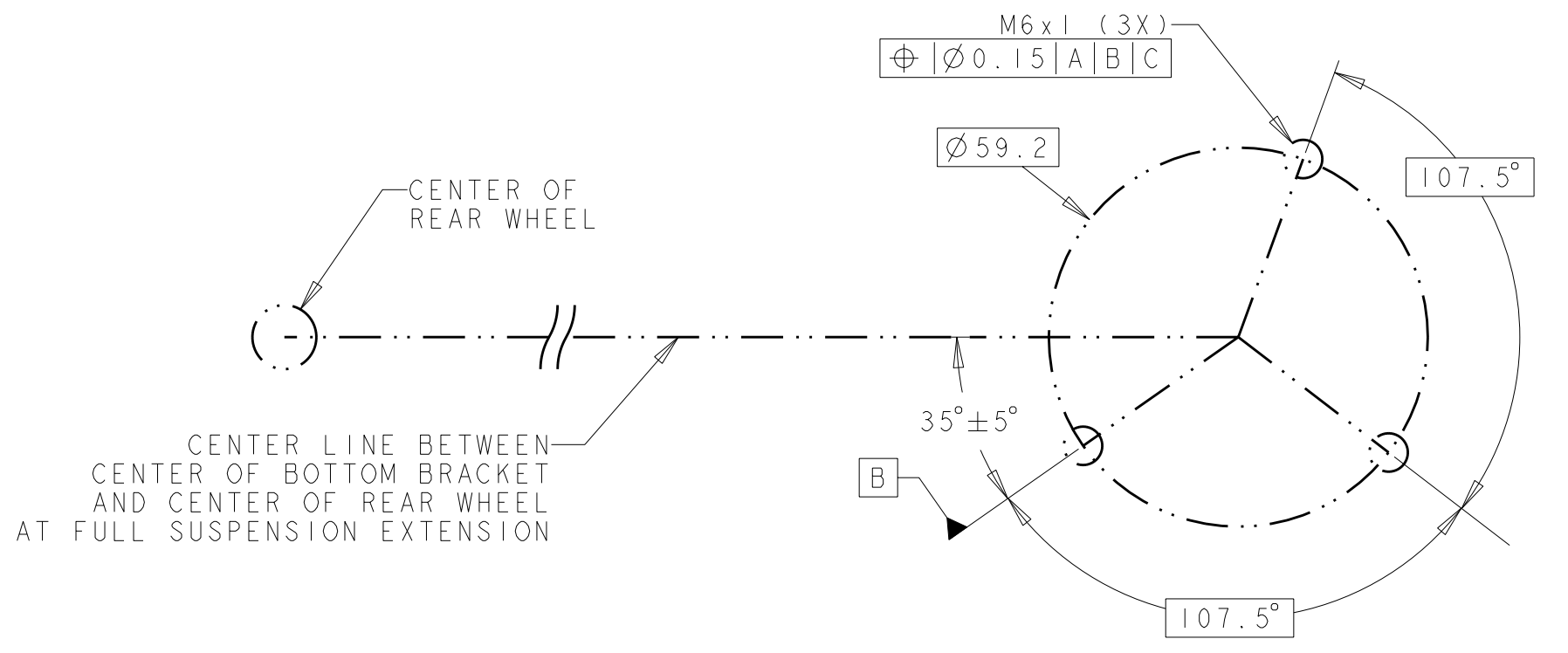
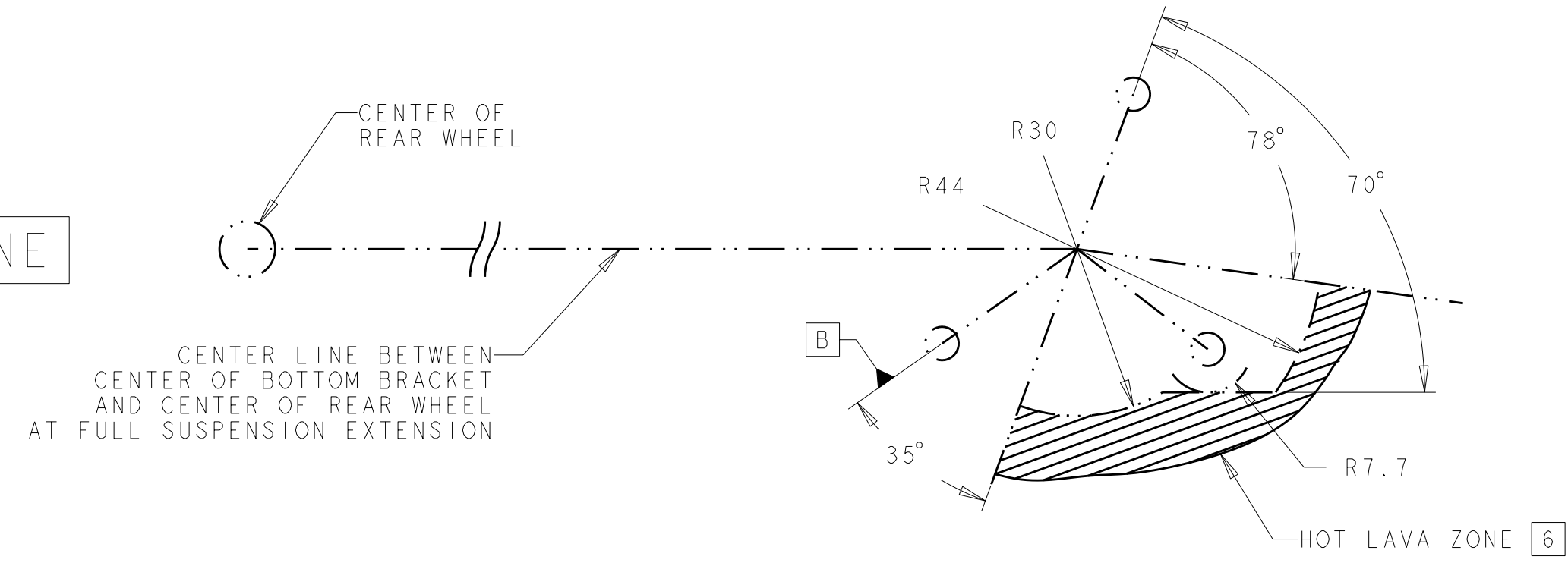


REVISION	REVISION RECORD
A	RELEASE

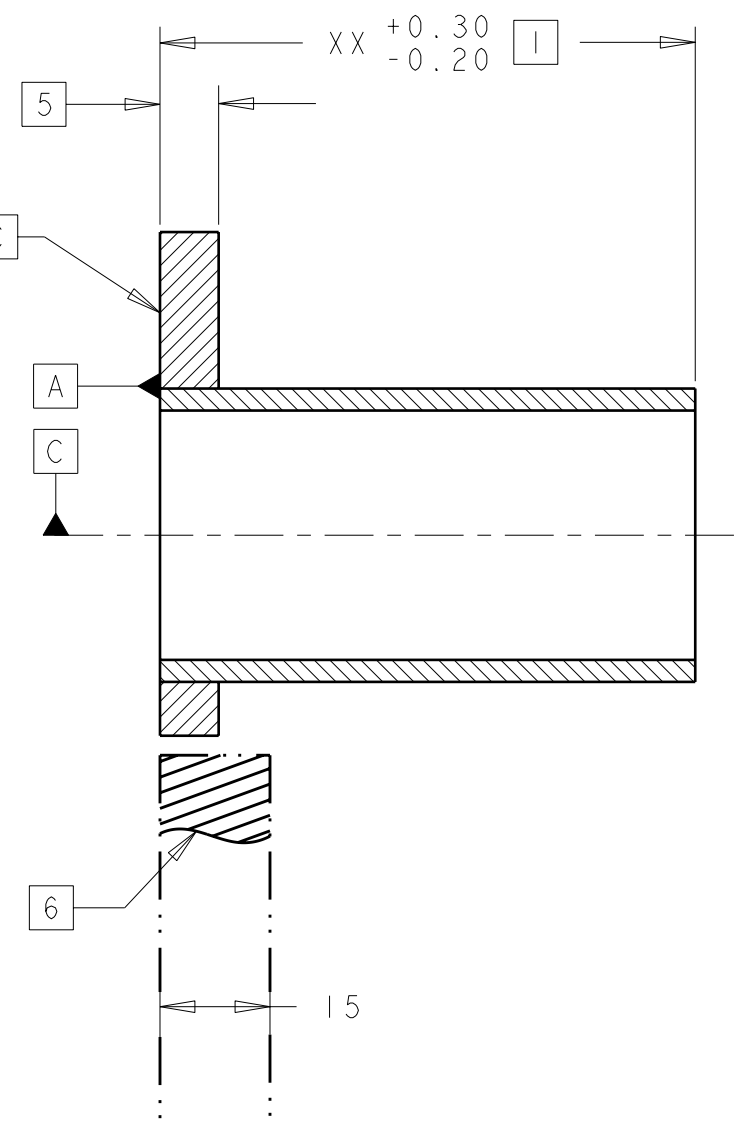
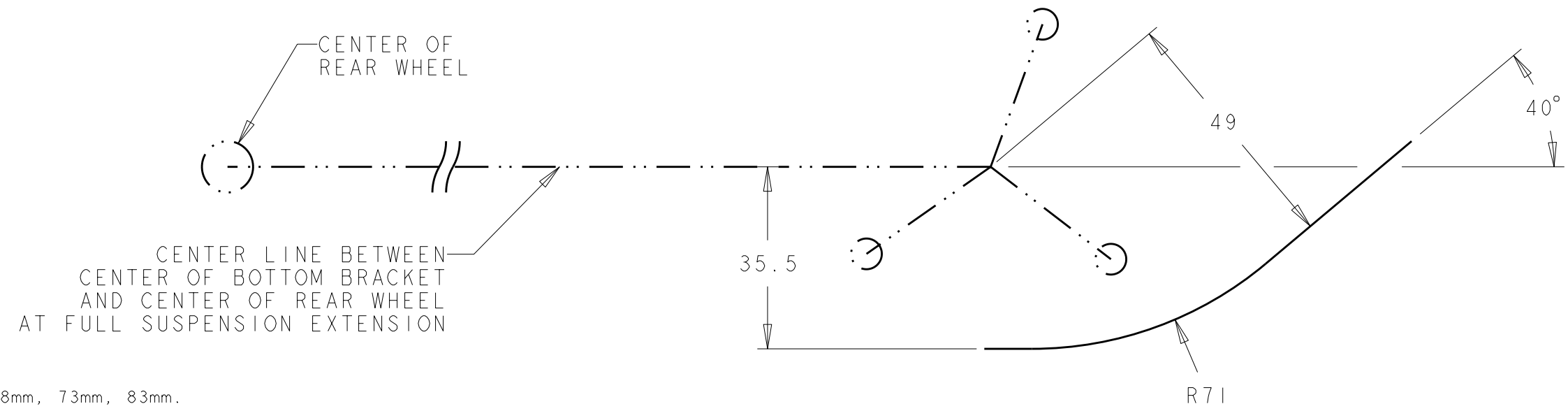
ISCG HOLES



HOT LAVA ZONE



CABLE LINE



ISCG TABS

- NOTES:
- ACCEPTABLE NOMINAL BB SHELL LENGTHS: 68mm, 73mm, 83mm.
 - FLUSH TAB MOUNTING METHOD PREFERRED TO ELIMINATE SPACER.
 - SPACER REQUIRED IF TABS ARE NOT FLUSH.
 - PREFERRED OFFSETS (SPACER THICKNESSES) OFFERED BY SRAM: 0.5mm, 1.0mm, 1.50mm, 2.00mm, 2.50mm, 3.00mm.
 - IF OFFSET IS OTHER THAN PREFERRED, SPACER TO BE PROVIDED BY FRAME MANUFACTURER.
 - MAXIMUM ALLOWABLE OFFSET FOR 73mm AND 83mm BB SHELLS IS 3.0mm.
 - MAXIMUM ALLOWABLE OFFSET FOR 68mm BB SHELLS IS 0.5mm.
 - THE SPACER THICKNESS FOR 68mm BB SHELLS MUST EQUAL 2.50mm + OFFSET.
 - TAB MOUNTING FACES MUST FOLLOW GEOMETRIC TOLERANCE SPECIFIED.
 - MOUNTING TABS MUST WITHSTAND A MINIMUM COMBINED TORQUE OF 200 Nm (150 ft-lb).
 - ALL FRAME ELEMENTS MUST NOT INTERFERE WITH THIS ZONE.
 - REFERENCE HAMMERSCHMIDT SURFACE MODEL FOR CHAINSTAY AND PIVOT CLEARANCE REQUIREMENTS.
 - WITHIN A 110mm DIAMETER CIRCLE CENTERED ON THE BB AXIS, ALL FRAME ELEMENTS MUST BE RECESSED FROM:
 - THE PLANE OF THE BB SHELL FACE FOR 73mm AND 83mm SHELLS
 - A PARALLEL PLANE 2.50mm OUTBOARD OF THE BB SHELL FACE FOR 68mm SHELLS

SRAM
 SRAM Corporation
 Global Headquarters
 1333 North Kingsbury
 Chicago, IL 60622
 USA 312-664-8800

REV C
 GEOMETRIC DIMENSIONING AND TOLERANCING TO BE INTERPRETED PER ANSI Y14.5M 1994
 * INDICATES THE DIMENSION IS CRITICAL TO THE FORM, FIT OR FUNCTION OF THE PART OR PRODUCT.

ALL DIMENSIONS ARE mm	UNTOLERANCED LENGTH DIMENSIONS (mm)	MATERIAL
THIRD ANGLE PROJECTION	LENGTH DIMENSIONS	-
	From 0.5 up to 1.6 ± 0.1	
	over 1.6 up to 30 ± 0.2	
	over 30 up to 120 ± 0.3	
UNTOLERANCED ANGLE DIMENSIONS	SCALE 1.0	FORMAT A2
	DO NOT SCALE DRAWING	

Lifecycle Status
 Under Review

TITLE	ISCG 03 SPECIFICATION
DRAWING NUMBER	US-6115-001-000
VERSION	A.9